

ORDINARY WORK PROCEDURE

CENTRIFUGAL PUMP CLEANING



CODICE: ECOPWO-008-EN-R20.0

WRITTEN IN ENGLISH



Note: this procedure, provided free of charge, can be changed by Ecoteam at any time without giving information or disclosure, so you are asked to check and possibly download the latest version.

ASSUMPTION:

This procedure is intended to provide information on centrifugal pump cleaning.

It remains the obligation of the D.L. risk assessment

FIELD OF APPLICATION

General equipment

CONTACT THE ASSISTANCE SERVICE

Manufacturer	Ecoteam S.p.A.
Adress	Via del Padule, 23/F 50018 Scandicci – Firenze – ITALIA
P.IVA	03984330484
Phone	+39 055 73 555
Fax	+39 055 73 55 55 00
Internet web side	www.ecoteam.it
E-mail	info@ecoteam.it
PEC	ecoteamspa@legalmail.it

Tabella 1 “ECOTEAM spa - info”

REVISION LIST

Revisione	Data	Note
20.0	1/1/2020	

Tabella 2 "Revision List"

DISTRIBUTION LIST

Name	Job	Date	Signature

Tabella 3 "Distribution list"

SUGGESTED SPECIAL TOOLS

Means of access

--	--



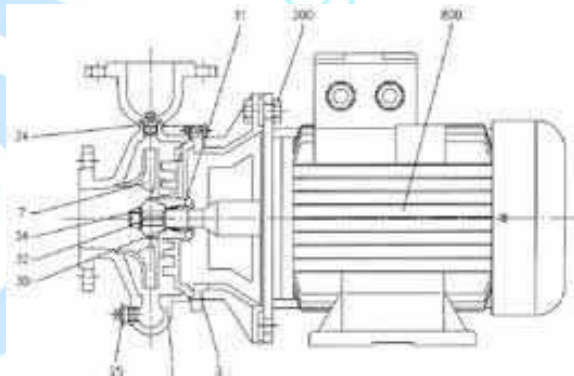
CENTRIFUGAL PUMP CLEANING



1. Record the pump performance
2. Remove the power supply.
3. If there is a disconnecter, it is mandatory positioned it on "0"



4. Close manual valves
5. Drain the pump and disposal the waste.
6. Disconnect hydraulic connections
7. Follow the specific instructions to clean the pump and its internal parts
8. Connect hydraulic connections
9. Open the manual valves
10. Verify the connections
11. Turn on the pump and remove the air present inside the pump
12. Verify the pump performance



13. Clean the work area

Technical note:

If the cleaning operation is frequent, it is necessary to check the reasons.



DANGER: pollution

Dispose waste according to local regulations

