

WORKING PROCEDURE

ECOCV BLOWER OIL REPLACEMENT

CODICE: **ECOPWS-1101-EN-R20.0**

DRAFTED IN ENGLISH



Note: this procedure, provided free of charge, can be changed by Ecoteam at any time without giving information or disclosure, so you are asked to check and possibly download the latest version.

PREMISE:

This procedure aims to provide information on replacing the blower oil in ECOCV equipment
It remains the obligation of the D.L. risk assessment.

FIELD OF APPLICATION

Replacement of oil in Kaeser blower

CONTACT THE ASSISTANCE SERVICE

	Ecoteam S.p.A.
Adress	Via del Padule, 23/F 50018 Scandicci – Firenze – ITALIA
P.IVA	03984330484
Phone	+39 055 73 555
Telefax	+39 055 73 55 55 00
Web	www.ecoteam.it
E-mail	info@ecoteam.it
PEC	ecoteamspa@legalmail.it

Tabella 1 “ECOTEAM spa - info”

LIST OF REVISIONS

Revision	Date	Note
20.0	1/1/2020	

Tabella 2 "List of Revision "

DISTRIBUTION LIST

Name	Job	Date	Firm

Tabella 3 "Distribution list"

SUGGESTED SPECIAL TOOLS

N°1 Specific Kaeser Oil for Omega Blower

<p>OIL</p> <p>OMEGA FLUID SB 220</p>	
--	--

N°1 Used oil receptacle

<p>Container</p>	
-------------------------	--

N°1 Funnel

	
--	--

Means of access

Means of access to be evaluated according to the specific situation



ECOTEAM
Environmental Technologies

KEASER BLOWER OIL REPLACEMENT

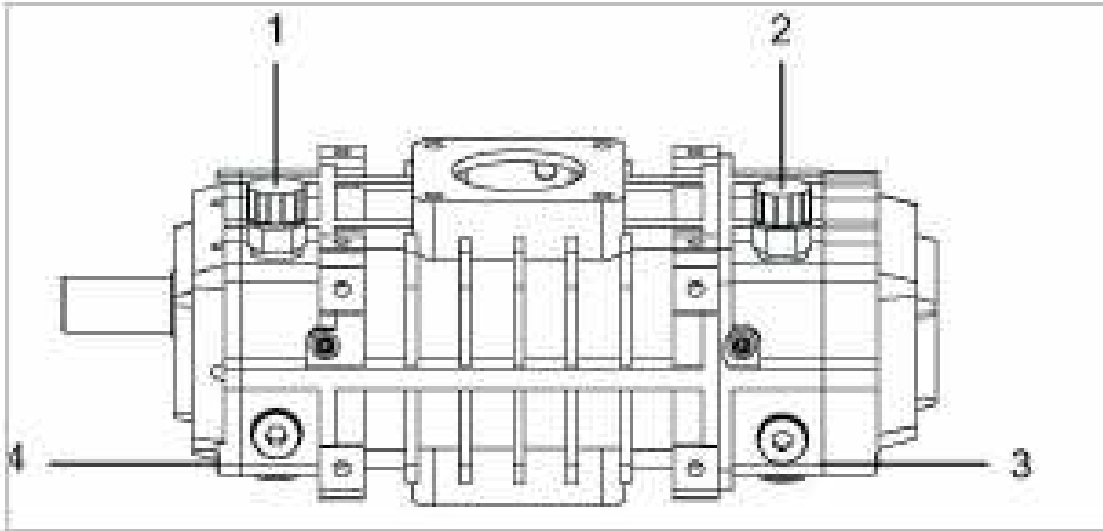


The procedure must be carried out by specialized companies or trained person.

The oil replacement must be done with warm blower (40-55°C) so that the oil replacement is faster

- Turn off the power
- Conduct a risk assessment
- Prepare the area of the intervention and wear PPE

Follow the Omega instruction



- 1: Plug (Drive-end oil filling port)
- 2: Plug (Gear-end oil filling port)
- 3: Plug (Gear-end oil drain port)
- 4: Plug (Drive-end oil drain port)

- A. Prepare an oil receptacle
- B. Loosen the plugs [1] and [2]
- C. Remove the plugs [3] and [4]
- D. Drain the lubricating oil
- E. Replace the plugs in the drain ports


Fill with fresh oil

- I. Fill with fresh oil
- II. Check the oil level
- III. Replace the plugs in the oil filling ports
- IV. Visually check for leaks

Reset timer on HMI

Figure 1 "Replacement "

ENVIRONMENTAL NOTE
USED OIL

	<p>DANGER: Pollution</p> <p>It is forbidden to disperse used oil in the environment. Place this waste in special containers and dispose of it according to the provisions or regulations in force in each country</p>
---	--

